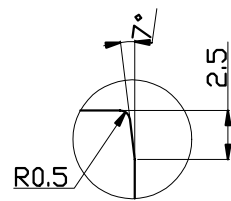
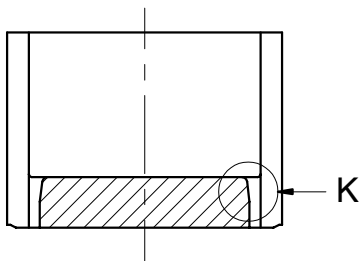
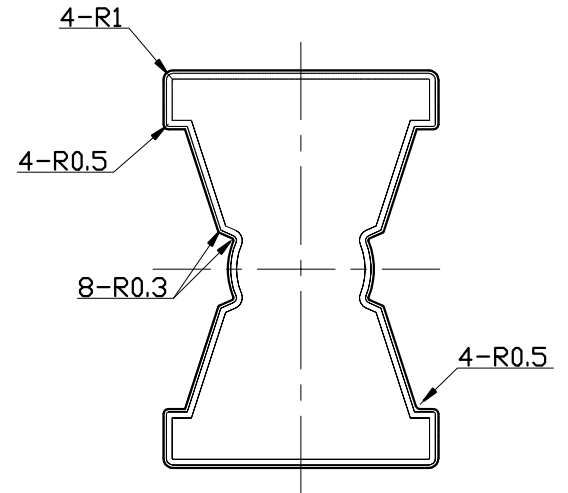
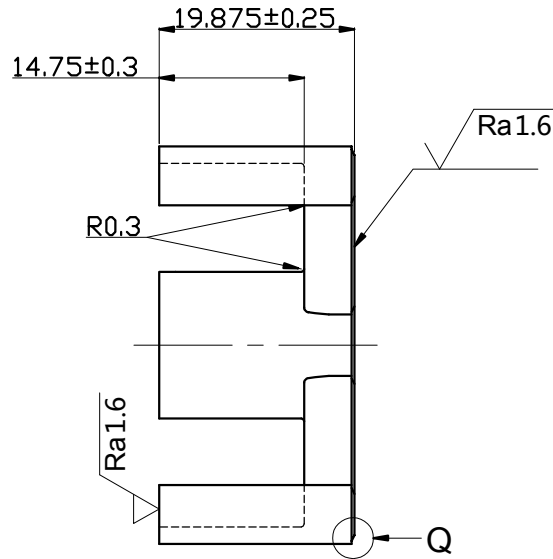
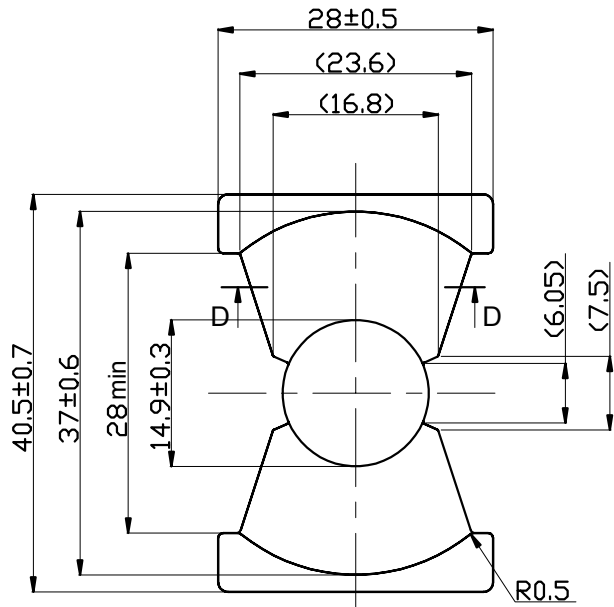
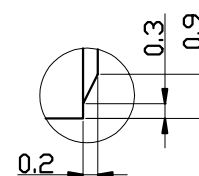


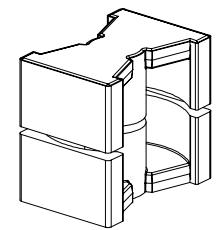
REVISION HISTORY			
Rev	DESCRIPTION	DATE	APPROVED



Detail K



Detail Q



	Scale	Material	Customer Part number	
	1.5 : 1		PQ-40-40	
Unit:	Standard tolerances	Product Name		
mm	$\pm 0.2$	PQ-40-40		
Approved by	Created by	Document type	Rev	Drawing No.
Y.Higuchi	Z.zhang	Production drawing	00	PY171024M01
Hitachi Metals (Hong kong) Ltd. Panyu Factory			Date of issue	Sheet
			Oct 24 2017	1/1